

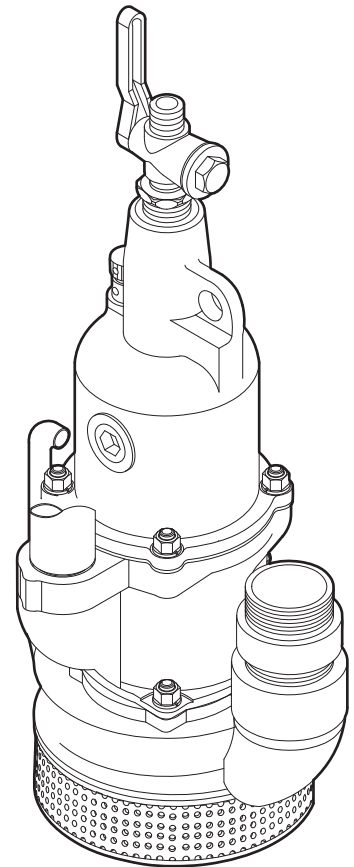


**Chicago
Pneumatic**

Spare parts list

Centrifugal pumps

CP 0020



Contents

General information	5
Spare parts list	6
Accessories	9
Hose rolls.....	9
Pre-mounted universal hoses with claw couplings.....	9
Water separator.....	10
Lubricator.....	10
CP airolene plus tool oil.....	10
Kits	11
Tune-up kit	11

General information

This spare parts list applies to the following:

Part number	Description
T022185	CP 0020 Centrifugal pump

Use only authorized parts. Any damage or malfunction caused by the use of unauthorized parts is not covered by Warranty or Product Liability. Any unauthorized use or copying of the contents or any part thereof is prohibited. This applies in particular to trademarks, model denominations, part numbers, and drawings.

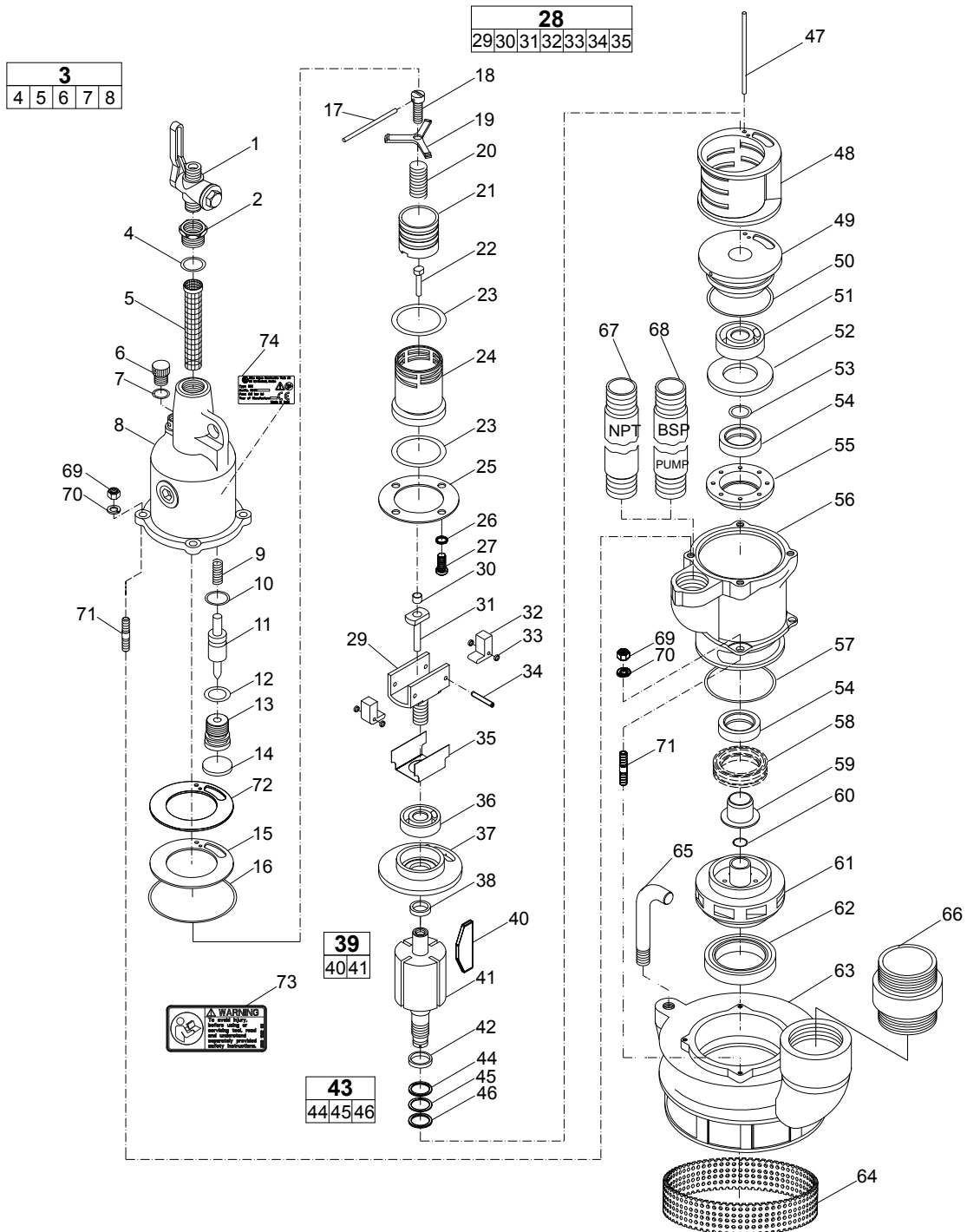
Instructions for use

This spare parts list contains no safety regulations and is merely intended to assist in the ordering of spare parts.

For information about operating, servicing, or repairing, the relevant Safety and operating instructions must be consulted at all costs.

Please observe the safety instructions listed in the relevant Safety and operating instructions!

Spare parts list



No.	Description	Remark	Quantity	Part number
1	Valve	¾ in. male 19.05 mm male	1	R137313
2	Bushing - air inlet		1	R137314
3(4-8)	Governor housing, complete		1	C086466
4	O-ring		1	C084172
5	Strainer - air		1	C085374
6	Plug - oil		1	C086130
7	O-ring		1	P083082
8	Housing - governor		1	-
9	Spring		1	S017510
10	O-ring		1	C079489
11	Valve - oiler		1	C085378
12	O-ring		1	P083071
13	Seat - oiler valve		1	C085379
14	Plug - oiler		1	C085380
15	Gasket - governor housing		1	C085363
16	O-ring		1	C085386
17	Lock wire		1	C056975
18	Screw		1	C056974
19	Retainer - governor spring		1	C089835
20	Spring - governor		1	C085372
21	Valve - governor		1	C085370
22	Pin - governor valve		1	C085371
23	O-ring		2	C085385
24	Cage - governor		1	C085368
25	Disc - gage tension		1	C085369
26	Lock washer		4	S008020
27	Screw		4	S007685
28(29-35)	Governor body, complete		1	C086467
29	Governor body		1	-
30	Nylon insert		1	-
31	Pin - governor push		1	-
32	Weight - governor		2	-
33	Spacer - governor weight		4	-
34	Pin - governor weight		2	-
35	Retainer - pin		1	-
36	Bearing - ball		1	C013654
37	Plate - upper end	Replacement of this part may require replacement of item no 72.	1	C085360
38	Spacer - rotor bearing (upper)		1	C085358
39(40-41)	Rotor, complete		1	Z8777463
40	Blade - rotor		4	C085362
41	Rotor		1	-
42	Spacer - rotor bearing (Lower)		1	C085357
43(44-46)	Shim, complete		1	Z8778463
44	Shim	0.001 in. 0.03 mm	2	-
45	Shim	0.002 in. 0.05 mm	2	-
46	Shim	0.003 in. 0.08 mm	2	-
47	Pin - dowel		1	C085355

No.	Description	Remark	Quantity	Part number
48	Liner	Replacement of this part may require replacement of item no 72.	1	C085361
49	Plate	Replacement of this part may require replacement of item no 72.	1	C085356
50	O-ring		1	C086699
51	Bearing - ball		1	C085382
52	Gasket - seal plate		1	C088457
53	O-ring		1	C084173
54	Seal - oil		2	C088616
55	Plate - seal		1	C088456
56	Housing - motor		1	C085348
57	O-ring		1	H083084
58	Plate - upper wear		1	C088458
59	Sleeve - impeller		1	C088455
60	O-ring		1	C084400
61	Impeller		1	C088758
62	Plate - lower wear		1	C088459
63	Housing - impeller		1	C085341
64	Screen		1	C085342
65	Handle		1	C085347
66	Nipple	2½ in. BSP	1	R137581
67	Pipe - exhaust (NPT)		1	C086080
68	Pipe - exhaust (BSP)		1	R137580
69	Nut - brass	¾ in. - 16	8	C085834
70	Lock washer	¾ in. 9.53 mm	8	C035166
71	Stud	¾ in. - 16 x ¾ in.	8	C061078
72	Shim		1	C048412
73	Safety label		1	3310 1602 00
74	Data plate		1	-

Accessories

Hose rolls

Metric

Description	Inner diameter (mm)	Thickness (mm)	Maximum working pressure (bar)	Length of roll (m)	Weight (kg)	Part number
Red-X hose roll	19	2.0	20	60	11	8900 0050 10
Red-X hose roll	19	2.0	20	100	18	8900 0050 11
Red-X hose roll	19	2.0	20	200	36	8900 0050 12
Red-X hose roll	25	2.5	20	60	15	8900 0050 20
Red-X hose roll	25	2.5	20	100	25	8900 0050 21
Red-X hose roll	25	2.5	20	200	50	8900 0050 22

Imperial

Description	Inner diameter (in.)	Thickness (in.)	Maximum working pressure (psi)	Length of roll (ft)	Weight (lb)	Part number
Red-X hose roll	$\frac{3}{4}$	$\frac{5}{64}$	290	195	24.3	8900 0050 10
Red-X hose roll	$\frac{3}{4}$	$\frac{5}{64}$	290	325	39.7	8900 0050 11
Red-X hose roll	$\frac{3}{4}$	$\frac{5}{64}$	290	650	79.4	8900 0050 12
Red-X hose roll	1	$\frac{3}{32}$	290	195	33.1	8900 0050 20
Red-X hose roll	1	$\frac{3}{32}$	290	325	55.1	8900 0050 21
Red-X hose roll	1	$\frac{3}{32}$	290	650	110.2	8900 0050 22

Pre-mounted universal hoses with claw couplings

Metric

Description	Inner diameter (mm)	Thickness (mm)	Maximum working pressure (bar)	Length of roll (m)	Weight (kg)	Part number
Red-X universal hose	19	2.0	20	20	4.5	8900 0050 09
Red-X universal hose	25	2.5	20	20	6.0	8900 0050 23

Imperial

Description	Inner diameter (in.)	Thickness (in.)	Maximum working pressure (psi)	Length of roll (ft)	Weight (lb)	Part number
Red-X universal hose	$\frac{3}{4}$	$\frac{5}{64}$	290	50	8.8	8900 0050 08
Red-X universal hose	1	$\frac{3}{32}$	290	50	11.0	8900 0050 24

Water separator

Metric

Description	Hose connection (mm)	Air flow (l/s)	Weight (kg)	Part number
Water separator (¾ in. BSP)	20	61	0.8	8900 0050 00

Imperial

Description	Hose connection (in.)	Air flow (foot ³ /min)	Weight (lb)	Part number
Water separator (¾ in. NPT)	¾	130	1.8	8900 0050 01

Lubricator

Metric

Description	Hose connection (mm)	Air flow (l/s)	Oil volume (l)	Weight (kg)	Part number
Lubricator 1300 (1 in. BSP)	25	15-140	1.3	3	8900 0050 02

Imperial

Description	Hose connection (in.)	Air flow (foot ³ /min)	Oil volume (US gallon)	Weight (lb)	Part number
Lubricator 43 (1 in. NPT)	1	32-300	0.34	6.6	8900 0050 07

CP airolene plus tool oil

Metric

Description	Oil volume (l)	Part number
5 l container	5	8099 0202 49
4 x 5 l container	20	8099 0202 51

Imperial

Description	Oil volume (US gallon)	Part number
1.32 US gallon container	1.32	8099 0202 49
4 x 1.32 US gallon container	5.28	8099 0202 51

Kits

Tune-up kit

It is recommended that Tune-up kit parts are installed each time the pump is disassembled.

Description	Remark	Quantity	Part number
Tune-up kit		1	C101077
O-ring		1	C079489
O-ring		1	P083071
Gasket - governor housing		1	C085363
O-ring		1	C085386
O-ring		2	C085385
Pin - governor push		1	-
Pin - governor weight		2	-
Blade - rotor		4	C085362
O-ring		1	C086699
Gasket - seal plate		1	C088457
O-ring		1	C084173
Seal - oil		2	C088616
O-ring		1	H083084
O-ring		1	C084400
Shim		2	C048412

